

Heavy Duty Landscape Tilting Wall Mount (Max VESA 200x200) - AS21G22T



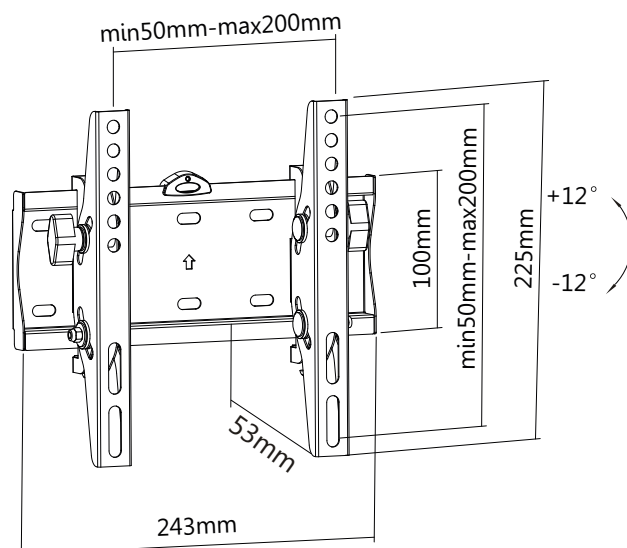
Features

- Designed for commercial and domestic use
- Suitable for most 23"-42" screens
- Maximum weight capacity: 30kg/66lbs
- Product size: 243x225x53mm
- Maximum VESA pattern: 200x200mm
- Maximum Hole pattern: 200x200mm
- No Tool Assembly allows assembling in minutes with no tools required
- Tilting range: -12°~+12°
- Integrated spirit level ensures level installation alignment (Included in Accessories Bag)

Specifications

Mount Type	Heavy Duty Tilting Wall Mount
Mounting Pattern	VESA & Universal
Material	Steel, Plastic
Product Size	243x225x53mm
Recommended Screen Size	23"-42"
Weight Capacity	30kg/66lbs
Load Tested	3 times weight capacity approved
Compatible VESA Patterns	50x50mm, 75x75mm, 100x100mm, 100x150mm, 150x150mm, 200x100mm, 200x150mm, 200x200mm
Maximum VESA Pattern	200x200mm
Maximum Hole Pattern	200x200mm
Minimum Hole Pattern	50x50mm
Tilt	-12°~+12°
Profile	53mm

Technical Drawing



Screen Size Maximum Weight Tilted Profile Landscape



* Excluding motorised products which have a 5 year warranty